




***stairmate* compact (SMC)**

Specification

Capacity	150kg (330lb/24st) – see ‘Using the <i>stairmate</i> compact’ (below)
h x w x l	– deployed 93cm x 63cm x 137cm (36” x 25” x 54”) – stored 36cm x 63cm x 105cm (14” x 25” x 41”)
Weight	51kg (113 lb) – including support handle - 11kg and battery pack - 8 kg
Stair angle	Up to 35°
Landing size	From 97cm (38”) – see ‘Using the <i>stairmate</i> compact’ (below)
Step height/pitch	Max. step height 18cm (7”), max. step pitch 34cm (13”)
Power pack	Removable 12v with sealed battery
Drive	190w motor/gearbox combination
Brake	Failsafe electromagnetic
Speed	– up 6.5m/min. (approx 21 steps/min.) – down 7.7m/min. (approx 24 steps/min)
Charging	230/115v ‘smart’ charger
Range	200m (approx. 600 steps/300 up + 300 down) per charge
Clearance (w x h)	29cm x 18cm (12” x 7”) min. space required under wheelchair

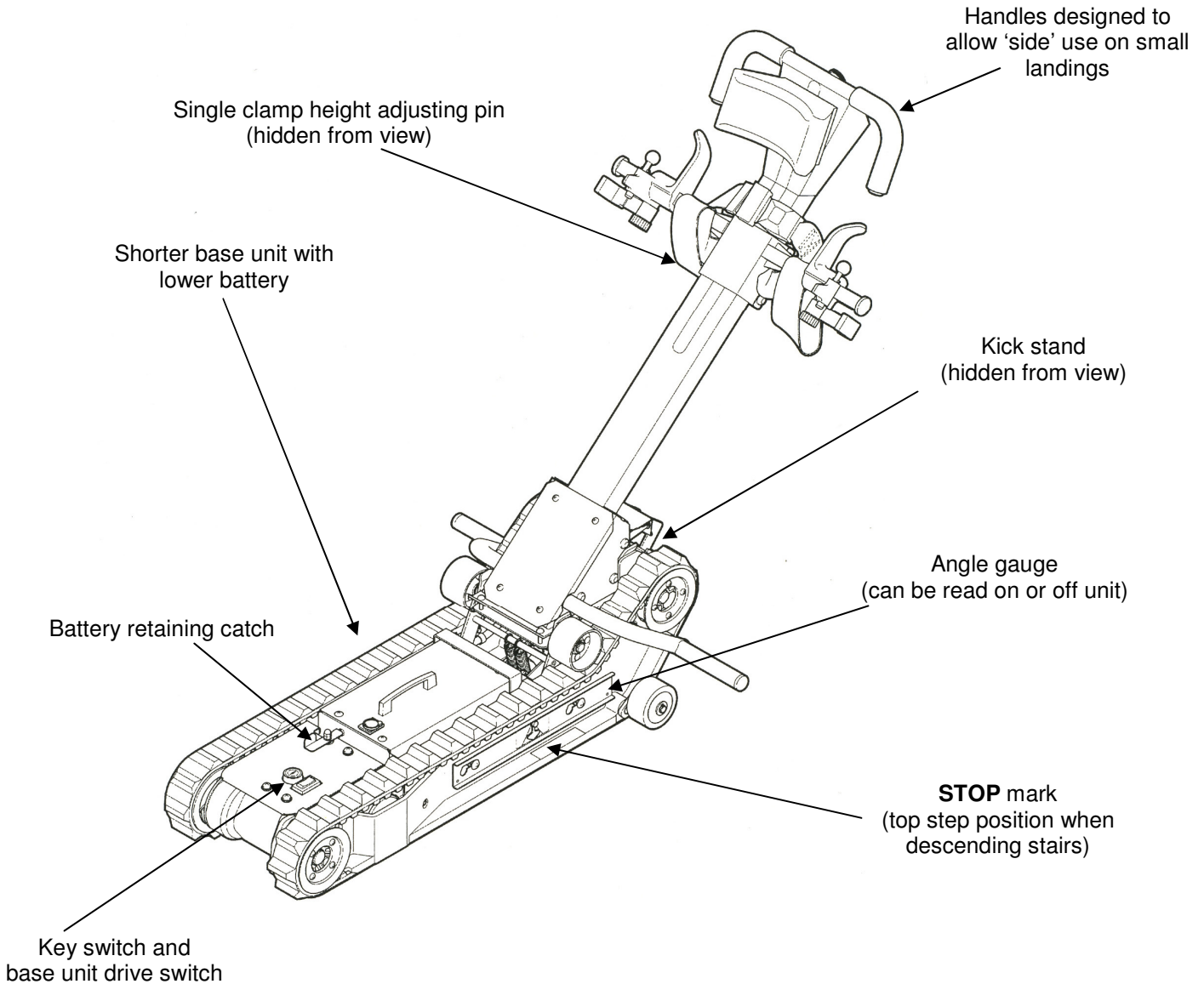
Using the *stairmate* compact (SMC)

In addition to reading the Stairmate Standard Owners Manual, the following points must be closely observed to ensure safe use of the ***stairmate*** compact.

- 1) The operator must familiarise themselves with the ‘Terminology’ page.
- 
 2) Ensure that the stairs are suitable. Check:
 a) Angle, b) Landing size, c) Step height, d) Pitch (see Specification)
- 3) Ensure capacity is not exceeded.
 Note: Landings from 97cm (38”) to 110cm (43”) require ‘side’ operation. In these situations a reduced capacity of say 110kg (242lb/17.5st) should be observed.
- 4) The ‘STOP’ mark is for use when descending the stairs. For ascending the stairs the stopping point is just beyond the ‘STOP’ mark. This can be easily established with practice.
- 
 5) The kickstand **must** be deployed when loading, unloading or parked loaded.
- 
 6) Hold the handles firmly at all times and ensure that the base unit tracks are resting across at least 2 nosings when on the stairs.

stairmate compact (SMC)

Terminology (Changes)



**Safety
Warning**

Kick stand **must** be deployed when loading/unloading/parked loaded.